

# PRODUCT CATALOG

Powerful Tools Designed and Built in the  
United States of America

2020



EPL Solutions, Inc.  
1330 W. Collins Ave.  
Orange, CA 92867

office. 714.453.9760  
fax. 714.462.8103

[sales@epls-usa.com](mailto:sales@epls-usa.com)

Distributor • Service Provider • Manufacturer

**Diagnostic**

**Tool**

5	Video Inspection	16	Arm Hoist
10	Receivers		
11	Transmitters & Sondes	<b>17</b>	<b>Order Form</b>
12	Sonde Carriers		

**Drain Cleaning**

4	Chain Cutter
14	Portable Jetter
15	Nozzles



# Who we are

Our company began in 2007 as a small-scale manufacturing business and repair shop. Specializing in diagnostic tools, we earned a reputable name as a durable equipment manufacturer.

After 5 years of growth mainly through word-of-mouth, we moved into a larger facility and expanded our services to offer the best equipment support to contractors.

When we opened our Sales and Service shop for the first time, we made it our mission to provide the kind of service we would like to receive ourselves. We set a high standard on our work and continue to grow from our relations with our customers.

Our slogan is "Thinking Ahead" because we believe in looking to the future.

# What we carry

We sell a wide range of plumbing equipment, especially our own products, such as the Gvision Camera System, and SXR Precision Locator. Our products are proudly designed and manufactured in the United States of America.

Our sales include drain cleaning equipment and diagnostic tools by other brand names.

**Our sales are not limited to the items listed in this catalog.**

## Training

Not only do we supply and repair tools, we also train on how to operate them so you can tap into their full potential. Contact us for more information.

## Repair

If your equipment is not working properly, you may send it to our service shop for inspection and/or repairs. EPL Solutions, Inc. may charge an hourly fee. If the product is still under warranty, you will need to provide a serial number, model number and explain the problem.

## Certified Service Shop

We are a certified service shop for Jettters Northwest® hydro-jet machines, Duracable® machines and others. Contact us for more information.

office. 714.453.9760  
fax. 714.462.8103  
1330 W. Collins Ave.  
Orange, CA 92867

sales@epls-usa.com  
www.epls-usa.com

## Mission Statement

There is no question when it comes to fair treatment and great value. Our core belief is to treat our customers the way we want to be treated. Our hope and goal is to secure a lasting relationship built on mutual trust and respect.

## A Few Brands We Sell:

Jettters Northwest  
enz®  
Duracable  
CamTronics  
Spartan  
General Wire  
Rycom  
Goldak  
Superior Signal  
Flexhose  
RootX  
StoneAge  
General Pump



## New Products!

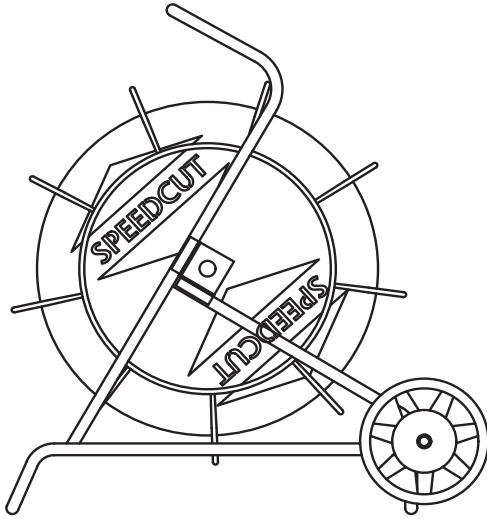
# SpeedCut

## High Speed Chain Cutter

Made in U.S.A.

### A Faster Cut

The SpeedCut is a high-speed chain cutter for cleaning, descaling and prepping pipe. Half the weight of regular chain cutting machines, this powerful tool will clean 2 - 6 inch lines with ease. With rotational speeds up to 3200 RPMS, the anti-flip SpeedShaft cable runs smoothly in the most harsh conditions.



#### Features

- Compact heavy-duty design.
- Anti-flip SpeedShaft cable.
- Runs smoothly in the most harsh conditions.
- Clutchless Instant-Restart.
- Hassle-free oiling system
- Compatible with other brand attachments.
- Maximum efficiency.
- High-torque DC motor.
- 0 - 3200 RPMS at less than 15 Amps.

Part#	Description
<b>SpeedCut</b>	
SC.10MM50	Speed Cut, 10mm x 50ft speed-shaft cable, 3200 rpm
SC.10MM75	Speed Cut, 10mm x 75ft speed-shaft cable, 3200 rpm
SC.10MM100	Speed Cut, 10mm x 100ft speed-shaft cable, 3200 rpm



# Gvision Monitors & Mini Reel

**New Model!**



## Gvision M1

Now even more compact than ever, the Gvision M1 is the first case model of the Gvision series. Compact, lightweight, and extremely rugged, the M1 streams wireless video on your iOS and Android Device. Share recordings via text message, email, Airdrop and more. The TruView LCD tilts for optimum viewing.

### Features

- Lightweight and compact.
- 10.4" TruView tilt display.
- OSD date and counter.
- Built-in battery (optional).
- Stream wireless video on your iOS and Android device.
- Lifetime Manufacturer Defect Warranty.



## Gvision V5

The Gvision V5 combines a militarized design with top-of-the-line technology, delivering a crisp, vibrant picture even in direct sunlight. The V5 is a ruggedized solution for video inspections. Record and save high quality video onto an Apple® device, Android, flash drive or hard drive.

### Features

- 10.4" TruView Display.
- OSD date and counter.
- Lightweight and compact.
- 0.09" heavy-duty aluminum case.
- Innovative front cover/stand.
- Built-in battery with an average of 3 hours recording time (optional).
- Record HQ video onto a USB hard drive, thumb drive and Apple® device.
- Lifetime Manufacturer Defect Warranty.



## Gvision Mini Reel

Weighing 24.5 lbs, the lightweight portable mini-reel comes in 150 ft length of pushrod. Video Inspect 2in - 4in pipe and capture every detail with the 0.85" color camera head.

### Features

- 1280 x 960 Camera Resolution.
- 0.85" diameter, stainless steel camera.
- 150 ft length of pushrod.
- Flexible fiberglass rod.
- 1in and 2in protective skids.
- 512 Hz "Always-On" Sonde.
- 17 1/2in L x 8 3/4in W x 23 1/2in H.



Part#	Description
<b>Gvision Camera System</b>	
GV.V5.03X	V5 monitor with internal battery
GV.V5.01X	V5 monitor, no battery
GV.M1.03	M1 monitor, with internal battery
GV.M1.01	M1 monitor, no battery
GV.CRM150	2-4in Pipe, Self Level, 512Hz

# Gvision Camera System

The Clear Choice for reliable video inspections.



Made in U.S.A.

## Rugged and Cutting-Edge Technology

Rugged and simple to operate, the Gvision Camera System is an affordable camera solution with user-friendly functionality. Easily record inspections with One Touch® technology onto a USB hard drive, flash drive or Apple® device. A built-in microphone allows you to record your voice to videos and playback on a mobile device. Capture every detail with the 1.3" color, self-leveling camera head and clearly view your inspections on the 10.4" TruView Display.

### Features

- Bright self-leveling color camera head.
- "Always-on" built-in transmitter for up to 15 feet depth.
- Stiff and flexible for ultimate navigation through 3" up to 12" pipes.
- 10.4" TruView Display with wide viewing angles.
- One-Touch record onto USB, USB to Android®, and Apple® devices Built-in microphone.
- Ruggedized design.
- Power with AC, DC or Battery (optional).
- Made in U.S.A.

Part#	Description
<b>Gvision Camera System</b>	
GV.V3.03X_CR	V3 monitor with internal battery
GV.V3.01X_CR	V3 monitor, no battery
GV.CR200	Reel, Color, 200ft Push Rod
GV.CR300	Reel, Color, 300ft Push Rod
GV.CR400	Reel, Color, 400ft Push Rod
<b>Accessories</b>	
INC-300-CR	Gvision Interconnect Cord
D1-200	Accessory Hard Case with Foam
G3-200	Cigarette Lighter Power Cord, 10ft
G2-200	12 Volt 90 Watt Power Supply
FD-400	4GB Flash Drive

Made in U.S.A.

# Gvision Monitors



Monitor Mount Kit



## USB Adapter Kit

The Gvision USB Adapter Kit allows the user to share video inspections to different devices. The "A Grade" 4GB mobile-friendly flash drive holds up to 4 hours of videos and comes with a standard USB connector at one end and a micro-USB on the other end that can plug into compatible devices such as smartphones. Also included is a USB-C to Female-USB cable, and a Lightning to Female-USB cable for Apple® devices.

## Gvision V3 Smart Technology

The Gvision V3 takes video inspection monitors to a new level by combining a militarized design with top-of-the-line technology, delivering a crisp, vibrant picture even in direct sunlight. The V3 provides a ruggedized solution for connecting to most camera reel brands, including RIDGID® and Spartan®. Record and send high quality video from an Apple® device, flash drive or hard drive.

### Features

- 10.4" 170°-view anti-glare TruView Display.
- 0.09" heavy-duty aluminum case.
- Innovative front cover/stand.
- Built-in battery with an average of 2 hours recording time (optional).
- Monitor Mount Kit accessory.
- Designed for Gvision Camera System, Ridgid, Spartan and many other systems.
- Record HQ video onto a USB hard drive, thumb drive, iPhone®, iPad® and the iPod Touch®.
- Lifetime Manufacturer Defect Warranty.

Part#	Description
<b>Gvision V3 Monitor</b>	
GV-V3.03	V3 with internal battery (specify camera reel brand)
GV-V3.01	V3, no battery (specify camera reel brand)
<b>Accessories</b>	
INC-300-CR	Gvision Interconnect Cord
D1-200	Accessory Hard Case with Foam
G3-200	Cigarette Lighter Power Cord, 10ft
G2-200	12 Volt 90 Watt Power Supply
MMK-3X	Monitor Mount Kit
FD-400	4GB Flash Drive with USB and USB-2
FD-400LC	Lightning Adapter, USB-C Adapter, FD-400 Flash Drive



# Gvision Monitors

The Clear Choice for reliable video inspections.



## Gvision V1 Ruggedized Monitor

The Gvision V1 monitor supplies a ruggedized solution for video inspection monitors by combining a militarist design with top-of-the-line technology, delivering a crisp, vibrant picture even in direct sunlight. The V1 connects to most camera reel brands, including RIDGID® and Spartan®.

Made in U.S.A.

### Features

- 10.4" 170°-view anti-glare TruView Display.
- 0.09" heavy-duty aluminum case.
- Innovative front cover/stand.
- Built-in battery with an average of 3-4 hours.
- Monitor Mount Kit accessory.
- Designed for Ridgid, Spartan, EasyCam and most other systems.
- Connect an external DVR with AV in/out port.
- Lifetime Manufacturer Defect Warranty.
- Upgradeable to a Gvision V3 with recording capabilities.



Monitor Mount Kit

Part#	Description
<b>Gvision V1 Monitor</b>	
GV-V1.03	V1 with internal battery (specify camera reel brand)
GV-V1.01	V1, no battery (specify camera reel brand)
<b>Accessories</b>	
INC-300-CR	Gvision Interconnect Cord
D1-200	Accessory Hard Case with Foam
G3-200	Cigarette Lighter Power Cord, 10ft
G2-200	12 Volt 90 Watt Power Supply

# CamTronics MiniFlex®

**Video Inspection**

## Mini Sewer Camera

The Miniflex® is a flexible mini sewer camera that has been specially developed for inspecting small diameter pipes, drains and tubes (1inch - 4inch). Mostly found in for example (for plumbers the CCTV sewer camera!) sanitary rooms, plumbing and kitchens. This kind of sewer inspections needs flexibility due to the width of the pipe including the numerous bends and the position to maneuver into and to be able to carry out a camera inspection with a mini sewer camera.

### Features

- Flexible mini sewer camera-system
- Unique flexible element(PUR) for right-angle bends
- Sewer pipeline inspection of 1inch-4inch pipes (plumbers services)
- Oval sewer camera head for smooth transit
- Special lens with large viewing angle (1000)
- Sophisticated lighting ring for minimal reflection and a better image
- Metercounter
- Textwriter On Screen Display
- Standard with transmitter (512Hz)
- Standard with Li-ion battery pack (max. 7 hours)
- Exchangeable push cable from Polyamid, which the user can easily renew the cable by himself (50, 66, or 98 feet)
- Video-Out facility allows you to adapt to a laptop or another monitor



Part#	Description
<b>CamTronics MiniFlex</b>	
CT.MR100	MiniFlex® 100ft (30M) Unique flexible push cable, 19.5mm (.75) dia camera head
CT.MR67	MiniFlex® 67ft (20M) Unique flexible push cable, 19.5mm (.75) dia camera head

Powerful tools manufactured in the United States of America | [www.epls-usa.com](http://www.epls-usa.com)

# SXR® Precision Locator

Made in U.S.A.

For all utility locations

Utility Locating



## Quick and Accurate Locations for the Profesional

Built on a proven design, the SXR® Locator quickly and accurately pinpoints camera sondes and other utilities. Dynamic and versatile, the Step Method offers users the ability to locate around obstacles and angles with greater depth and precision. The SXR® Locator provides cutting-edge technology for sewer and utility locating.

### Features

- Multi-frequency for locating cast-iron and non-metallic pipes.
- Passive frequencies to locate "live" utilities without the use of a transmitter.
- Step Method Sonde Locating.
- Push-button Depth Measurement up to 25ft (30ft plus with SS30X Sonde).
- Laser-like directional antennae array.
- Backlit display for low light settings.
- Powered with 6 "C" Cells Weather resistant.
- 4 Year Warranty.
- Made in U.S.A.

## Pinpoint Locations

Use the SXR® to locate gas, eletrical, water and sewer. It will receive multiple frequencies:

Active frequencies: 512Hz, 8Hz, 33Hz, 65Khz, 116Khz Passive

frequencies: RF & 60hz Sonde frequencies: 512Hz, 8kHz, 33Khz, 116kHz

## Training

We support our products and offer training in the field, over the phone and by appointment. Please contact us for more informaiton.

**EPL Solutions, Inc.**  
**office. 714.453.9740**  
**fax. 714.462.8103**  
**1330 W. Collins Ave.**  
**Orange, CA 92867**

[sales@epls-usa.com](mailto:sales@epls-usa.com)

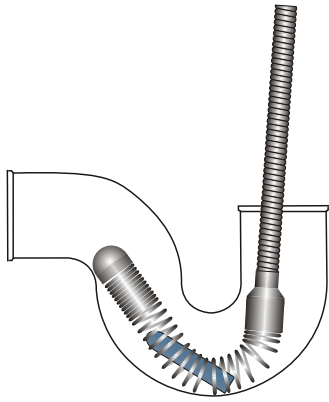
Part#	Description
<b>SXR Locator</b>	
SXR	512hz, 8khz, 33khz, 65khz, 116khz & Passive Rf & 60hz Multi-Frequency Locating Receiver
SRX.01	Carrying Case

www.epls-usa.com | Powerful tools manufactured in the United States of America



# Sondes and Transmitters

## Sondes



Self-contained signal transmitters are used to trace the path of metallic and non-metallic pipes and locate line blockages in clay, cast iron and other structures. A proven method for securing a sonde is by using the Sonde Carrier, a customized spring sonde carrier for a sewer machine or hydro-jet machine (See page 12).

Utility Locating

### SS20X

The SS20 transmits a powerful 512 Hz signal in depths over 20 feet in the air and 10 feet in cast iron. Attach to the end of a pushrod or secure in a Sonde Spring Carrier.



### SS30X

The SS30 transmits a powerful 512 Hz signal in depths over 33 feet in the air and 15 feet in cast iron. Attach to the end of a pushrod or secure in a Sonde Spring Carrier.



### TXR

The TXR operates on active frequencies. Traceable 25 feet in the air and 10 feet in cast iron, it will identify the precise location of the blockage. Active frequencies: 512Hz, 8Hz, 33Hz, 65Khz, 116Khz



Part#	Description
SS20X	SS20X 512 Hz portable sonde, powered by 1 AAA cell battery
SS30X	SS30 512 Hz portable sonde, powered by 3 volt Rechargeable Lithium Ion Battery.
SS30X-BC	SS30X 512Hz portable sonde, 2 Lithium Ion Batteries, Battery Charger
TXR3W	TXR multi-frequency 3 watt transmitter: 512 Hz, 8 kHz, 33 kHz, 65 kHz, 116 kHz

Powerful tools manufactured in the United States of America | www.epls-usa.com

# P-Trap Sonde Carrier



Made in U.S.A.

## Locate with a Drain Machine

The P-Trap Sonde Carrier is ideal for locating breaks in a line, stoppages or when the line is full of water. Its durable, flexible spring easily navigates through tight turns, including a 2" P-Trap.

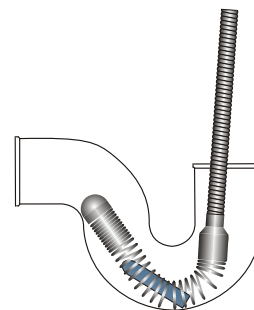
### Specified End for Cable Machine

Duracable • Gorlitz • Spartan  
General • Ridgid • Electric Eel



## Don't Risk Your Camera

Stop taking unnecessary risks with your camera. Attach the sonde carrier to your sewer machine or duct rodder for those tight turns and high-risk situations.



The P-Trap Sonde Carrier easily navigates tight-turns



Customized End

Part#	Description	
PTSW	Wrench to open cap	
<b>3/8" - 1/2"</b>		
PTSC-100-1	Threaded Male	
PTSC-100-2	Spartan No.6 Spartan No.8	
PTSC-100-3	RIDGID Button Lock	
PTSC-100-4	General Wire Slot	
<b>1/2" - 1 1/4"</b>		
PTSC-200-1	RIDGID Button Lock	1/2" - 7/8"
PTSC-200-2	RIDGID Button Lock	1-1/4"
PTSC-200-3	Pin Lock	5/8"
PTSC-200-4	Pin Lock	3/4"
PTSC-200-5	General Wire Slot	5/8" & 3/4"
PTSC-200-6	Slip Joint	11/16"
PTSC-200-7	Electric Eel	1-1/4"
<b>1/2" - 1 1/4" for RIDGID Sonde</b>		
PTSC-210-1	RIDGID Button Lock	1/2" - 7/8"
PTSC-210-2	RIDGID Button Lock	1-1/4"
PTSC-210-3	Pin Lock	5/8"
PTSC-210-4	Pin Lock	3/4"
PTSC-210-5	General Wire Slot	5/8" & 3/4"
PTSC-210-6	Slip Joint	11/16"
PTSC-210-7	Electric Eel	1-1/4"

# JetSonde Carrier



Made in U.S.A.

## Locate with a Hydro-Jet Machine

The JetSonde Carrier is ideal for long pipe locations. Propel the sonde using the nozzle specified for your hydro-jet machine. Easily navigate through 3" and larger pipe. Protect the sonde in a flexible sonde carrier.

Not intended to be used to clean or clear stoppages.

### Features

- Made for most sonde sizes and Hydro-Jet machines.
- Stainless steel nozzle, spring, and aluminum cap for maximum durability and longevity.
- Nozzle end safely carries a sonde down a pipe.
- Excellent for long runs.
- Optional JetCam Adapter to attach a camera push cable for video inspecting a long pipeline.



### JetCam Adapter Accessory

Attach the JetCam Adapter to video inspect a long pipeline. The JetCam Adapter pulls a camera further down the line, utilizing the full length of your push cable.

Part# JTSA

## How to Order

Specify the PSI and GPM of your hydro-jet machine and any accessories to add.

Part#	(Accessory)	(Nozzle FNPT Size)	(Spring Size)	(PSI)	(GPM)
JTSC-	Option A (not available for nozzle 1) - Jet Cam Adapter, Carrying Case, T-Handle Allen Wrench	(1) 3/8" (2) 1/2" (3) 3/4" (4) 1"	(00) Spring for SS20X (10) Spring for RIDGID Battery Sonde	4K 3K 2K 1.5K	4.5 - 80
	Option C - Carrying Case				



Nozzle end for JetSonde



# BRUTE Portable Jetter

Made in U.S.A.

We sell and service the entire product line of Jetters Northwest



## Powerful Jetter

The BRUTE Portable Cart Jetter by Jetters Northwest is a powerful hydro-jet machine capable of using specialized nozzles normally used on larger units, such as tow-behind jetters. All controls are conveniently panel-mounted for efficient operation. The modular frame design can be configured for use as a portable cart or as a compact Mountable-Skid Jetter; either option you choose can be changed later as your needs change.

### Features

- All Controls are conveniently Panel-Mounted below the Hose-Reel for efficient operation.
- Modular Frame Design.
- Welded Steel Roll Cage Frame.
- Heavy-Duty Hose Reel, welded steel A-Frame style with pillow block bearings.
- 5000-PSI rated Hose Reel Swivel with Grease-fitting.
- 300-ft. Premium Jetting -Hose, Made in USA.
- 4-Nozzle Set included: Penetrator, Rotator, Pusher, Flusher.
- 12-Gallon Water Buffer tank with internal Float Valve to prevent over-filling.
- Able to draw water from a larger tank (portable and mountable tanks are available options).
- Kohler Fuel-Injected 747cc OHV Engine **(or optional 25-HP Propane-fueled)**.
- UDOR "Super-Duty" Triplex Plunger Pump.
- 5-Gallon Fuel Tank, CARB/EPA approved.
- Also Includes: Safety Nozzle Extension, Accessory-Adapter and Orifice-Cleaner tool.

Model	GPM	PSI	Hose Size
<b>BRUTE Jetter (Optional SKID Model Available)</b>			
JNW.CART-4009-H-x	9 GPM	4000 PSI	3/8" x 300 ft (400 opt)
JNW.CART-3012-ES-x	12 GPM	3000 PSI	1/2" x 300 ft (400 opt)
JNW.CART-3508LP-x	8.5 GPM	3500 PSI	3/8" x 300 ft (400 opt)

Hydro-Jetting

www.epls-usa.com | Powerful tools manufactured in the United States of America

# Nozzles

## MadDog Nozzle

The MadDog Nozzle by enz®, of the Bulldog family, is optimized with ceramic inserts for the highest ideal cutting power. Spinning 3 times faster than mainstream nozzles, it removes aggressive tree roots in flows as low as 5.5 GPM at 3500 PSI with 3/8 inch hose and up to 18 GPM at 4000 PSI with 1/2 inch hose. It is perfect for accessing main line stoppages from a 2 inch toilet roof vent, wall clean out or 8 inch manhole using a skid body due to it only being 1.5 inches in diameter and 3.3 inches in length. A front oscillating penetrating insert is included and can be installed by the user for front cutting. The MadDog's extreme durability comes from its hardened steel body and oil free, zero maintenance feature.

### Features

- Zero Maintenance.
- Hardened Steel Body.
- Front Oscillating penetrating insert.
- Ceramic inserts.
- 5.5 GPM @ 3500 PSI to 18 GPM @ 4000 PSI.
- Optional skid body.



The MadDog Nozzle levitates in the pipe

Model	GPM	PSI	Hose Size
<b>MadDog Nozzle</b>			
ENZ.408.037-4093	9 GPM	4000 PSI	3/8" x 300 ft
ENZ.408.037-3123A	12 GPM	3000 PSI	1/2" x 300 ft
ENZ.408.037-4185	18 GPM	4000 PSI	1/2" x 500 ft



## The Reaper

Hydra-Flex is pleased to announce the release of their newest nozzle innovation: the Reaper™ Rotating Jetting Nozzle. Engineered for superior cutting performance, the Reaper marks Hydra-Flex's entry into the jetting industry. The front rotating jet uses the same technology found in the Ripsaw and Aqua-Rocket rotating nozzles for superior performance and durability. Reaper's four rear jets create a 20-degree angle for maximum thrusting power capable of pulling several hundred feet of jetting hose. The Reaper™ Rotating Jetting Nozzle is designed and engineered specifically for jetting applications.



The Reaper is available in five different flow rates and two inlet sizes, all at pressure up to 4000 PSI:

- 3/8" inlet: sizes 6 GPM and 9 GPM (ideal for 3-6" pipes)
- 1/2" inlet: sizes 12 GPM, 15, GPM, or 18 GPM (ideal for 4-8" pipes)

Part#	Description
<b>Nozzles</b>	
JN.1/2-Reaper-12	Reaper Nozzle, 1/2 4K12
JN.1/2-Reaper-15	Reaper Nozzle, 1/2 4K15
JN.1/2-Reaper-18	Reaper Nozzle, 1/2 4K18
JN.3/8-Reaper-6	Reaper Nozzle, 3/8 4K6
JN.3/8-Reaper-9	Reaper Nozzle, 3/8 4K9

# Samson Arm Hoist

Made in U.S.A.

Arm Hoist

www.epls-usa.com | Powerful tools manufactured in the United States of America



## Durable, Powerful Lift

The Samson Arm Hoist is a powerful lift for transporting heavy machinery to and from your truck. With the motor safely secured in one spot and all cable and wiring protected within the frame, this unique hoist is a compact size and will take up minimal space in your vehicle. Control the lift with an optional wired remote or a wireless remote for hands-free functionality.

### Features

- Transport heavy equipment and machinery into and out of vehicles.
- Powder-coated, heavy duty steel for maximum ruggedness.
- Clean hassle-free inline cable and pulley design.
- Adjusts to fit service vehicle standard sizes.
- Lifts 800 lbs with ease.
- Compact size takes up minimum space in vehicle.
- No moving electrical parts.
- Made in U.S.A.



Part#	Description
<b>Samson Arm Hoist</b>	
Samson-BL	Samson Boom Lift
SAMSON-BR-1	Bracket, Fiberglass Box Truck
SAMSON-BR-2	Bracket,
SAMSON-BR-3	Bracket

# Order Form

**SOLD TO**

Company Name: \_\_\_\_\_  
 Contact Name: \_\_\_\_\_  
 Street Address: \_\_\_\_\_  
 City: \_\_\_\_\_  
 State: \_\_\_\_\_ Zip: \_\_\_\_\_  
 Phone: \_\_\_\_\_  
 Fax: \_\_\_\_\_  
 E-mail: \_\_\_\_\_

**SHIP TO**

*Leave blank if same as 'Sold To'*

Company Name: \_\_\_\_\_  
 Contact Name: \_\_\_\_\_  
 Street Address: \_\_\_\_\_  
 City: \_\_\_\_\_  
 State: \_\_\_\_\_ Zip: \_\_\_\_\_  
 Phone: \_\_\_\_\_  
 Fax: \_\_\_\_\_  
 E-mail: \_\_\_\_\_

DO NOT EMAIL CREDIT CARD INFORMATION. CALL OFFICE WITH PAYMENT 714.453.9760.

Payment Method: Visa /MasterCard /American Express /Discover /C.O.D. /Bill My Account

Customer P.O. #: \_\_\_\_\_ Shipped Via: \_\_\_\_\_

Quantity	Part#	Description	Unit Price	Total

1330 West Collins Avenue | Orange, CA 92867 | Phone: 714.453.9760 | Fax: 714.462.8103 | Email: sales@epls-usa.com









## PRODUCT CATALOG

2020

Powerful Tools Designed and Built in the United States of America



Camera Inspection • Utility Locating • Drain Cleaning • Hydro-Jet Cleaning • Quality Tools

EPL Solutions, Inc.  
1330 W. Collins Ave.  
Orange, CA 92867

office. 714.453.9760  
fax. 714.462.8103

[sales@epls-usa.com](mailto:sales@epls-usa.com)